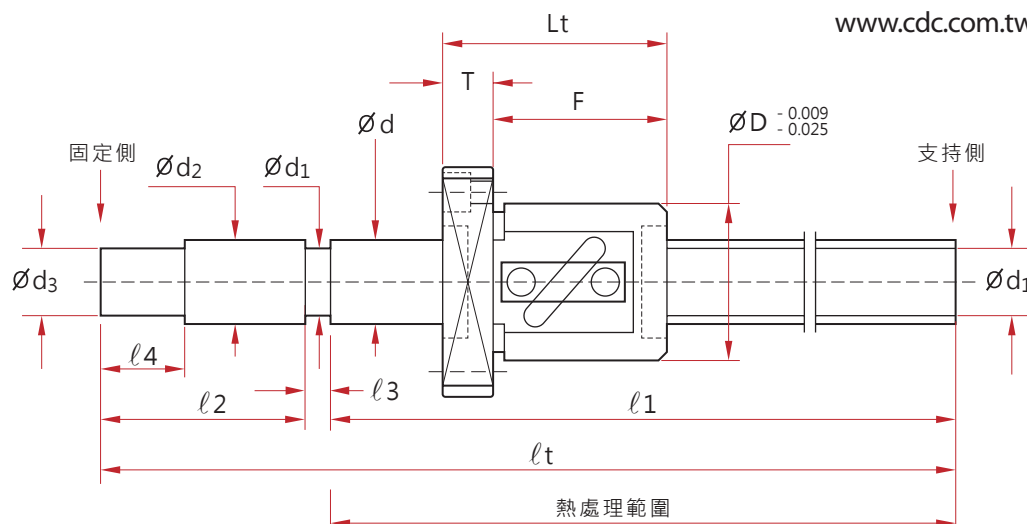
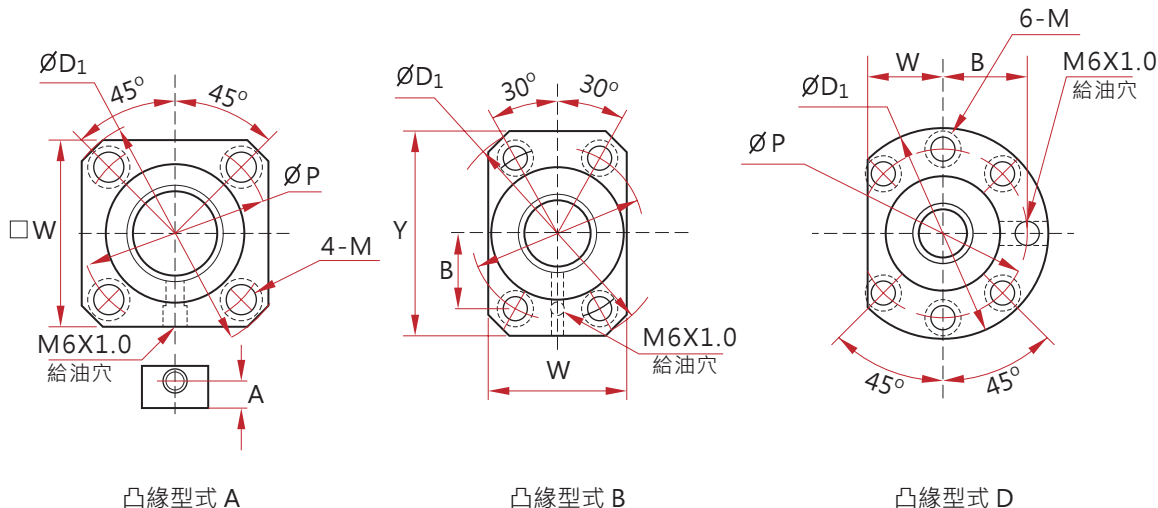


■ GE.GG 系列

軸端未加工品
 GE 系列 研磨 C7 級
 GG 系列 研磨 C5 級



| 型號 | 公稱 | 螺桿 | | | | | 軸端 | | | | |
|----------------------|----------------------|--------|------|----------|-------|-------|------|------|------|------|----|
| | | 螺桿外徑 d | 導程 L | 有效螺紋長 l1 | 全長 lt | 谷徑 d1 | d2 | d3 | l2 | l3 | l4 |
| GE081FDS-AANR-0215 A | GG081FDS-AANR-0215 A | 8 | 1.5 | 167 | 210 | 7.1 | 12 | 11.7 | 45 | 3 | 20 |
| GE0802DS-AANR-0215 A | GG0802DS-AANR-0215 A | | 2 | | | | | | | | |
| GE0804DS-BAFR-0215 A | GG0804DS-BAFR-0215 A | | 4 | 164 | 215 | 6.3 | 12 | 11.7 | 45 | 6 | 20 |
| GE1002DS-EANR-0250 A | GG1002DS-EANR-0250 A | 10 | 2 | 202 | 250 | 8.6 | 10 | 9.7 | 45 | 3 | 20 |
| GE102FDS-AAFR-0250 A | GG102FDS-AAFR-0250 A | | 2.5 | 196 | 250 | | | | | | |
| GE1004DS-BAPR-0255 A | GG1004DS-BAPR-0255 A | | 4 | 195 | 255 | 8.1 | 12 | 11.7 | 55 | 5 | 20 |
| GE1010AS-BAPR-0255 A | GG1010AS-BAPR-0255 A | 10 | 325 | 385 | 8.1 | | | | | | |
| GE1201DS-AAPR-0300 A | GG1201DS-AAPR-0300 A | 12 | 2 | 247 | | 300 | 10.6 | 12 | 11.7 | 50 | 3 |
| GE122FDS-AAPR-0300 A | GG122FDS-AAPR-0300 A | | 2.5 | 402 | 455 | 10.3 | | | | | |
| GE1204DS-AALR-0405 A | GG1204DS-AALR-0405 A | | 4 | 245 | 300 | | 10.1 | 12 | 11.7 | 55 | 5 |
| GE1205DS-BALR-0305 A | GG1205DS-BALR-0305 A | | 5 | 345 | 400 | 9.5 | | | | | |
| GE1210AS-BALR-0455 A | GG1210AS-BALR-0455 A | | 10 | 345 | 405 | | 9.5 | 12 | 11.7 | 55 | 5 |
| GE1220AS-BALR-0405 A | GG1220AS-BALR-0405 A | | 20 | 545 | 605 | 9.5 | | | | | |
| GE1502DS-BALR-0600 A | GG1502DS-BALR-0600 A | | 15 | 2 | 345 | | 405 | 9.5 | 12 | 11.7 | 55 |
| GE1504DS-BALR-0600 A | GG1504DS-BALR-0600 A | 4 | | 542 | 600 | 13.6 | 15 | | | | |
| GE1505DS-BALR-0600 A | GG1505DS-BALR-0600 A | 5 | | 540 | 600 | | | 13.1 | 15 | 14.5 | 55 |
| GE1510AS-BALR-0900 A | GG1510AS-BALR-0900 A | 10 | | 1040 | 1100 | 12.5 | 15 | | | | |
| GE1515AS-BALR-0900 A | GG1515AS-BALR-0900 A | 15 | | 540 | 600 | | | 12.5 | 15 | 14.5 | 55 |
| GE1520AS-BALR-0900 A | GG1520AS-BALR-0900 A | 20 | | 840 | 900 | 12.5 | 15 | | | | |
| GE1502DS-BALR-0600 A | GG1502DS-BALR-0600 A | 2 | | 1040 | 1100 | | | 12.5 | 15 | 14.5 | 55 |
| GE1504DS-BALR-0600 A | GG1504DS-BALR-0600 A | 4 | | 1240 | 1300 | 12.5 | 15 | | | | |
| GE1505DS-BALR-0600 A | GG1505DS-BALR-0600 A | 5 | | 540 | 600 | | | 12.5 | 15 | 14.5 | 55 |
| GE1510AS-BALR-0900 A | GG1510AS-BALR-0900 A | 10 | 840 | 900 | 12.5 | 15 | 14.5 | | | | |
| GE1515AS-BALR-0900 A | GG1515AS-BALR-0900 A | 15 | 1040 | 1100 | | | | 12.5 | 15 | 14.5 | 55 |
| GE1520AS-BALR-0900 A | GG1520AS-BALR-0900 A | 20 | 1240 | 1300 | 12.5 | 15 | 14.5 | | | | |



凸緣型式 A

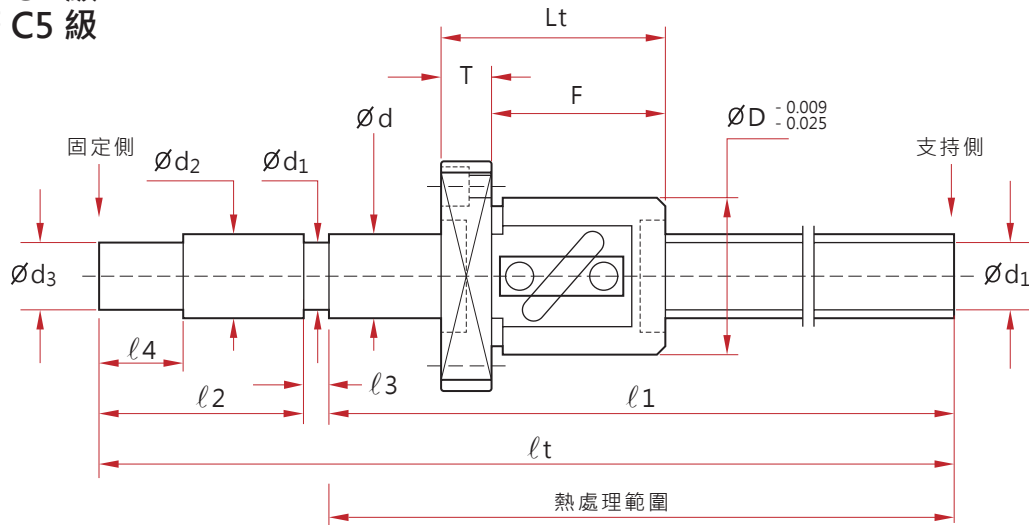
凸緣型式 B

凸緣型式 D

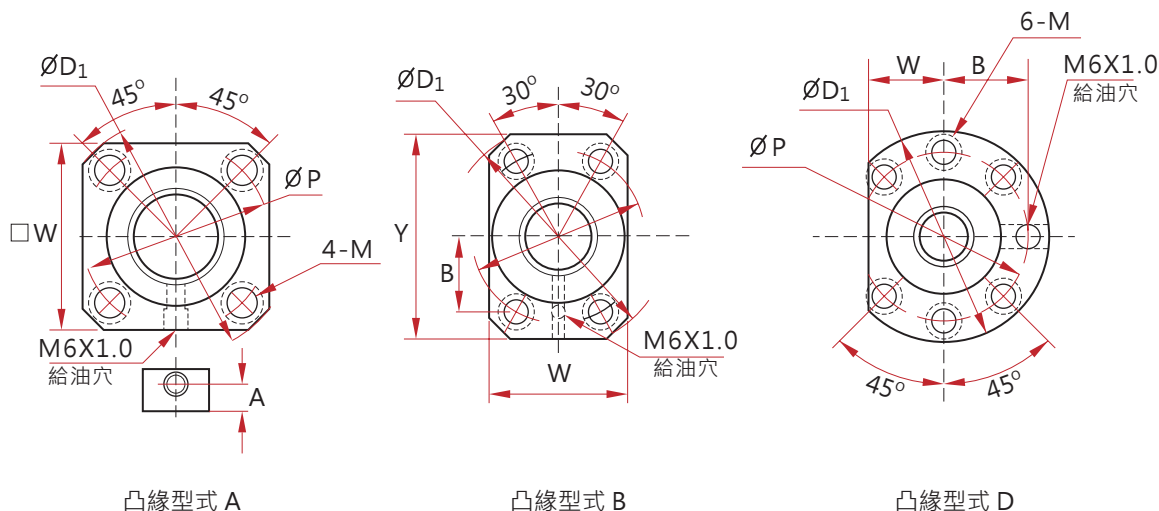
| 螺 帽 | | | | | | | | | | | | | 鋼球徑 Db | 循環數 卷X列 | 基本動 額定荷重 C(daN) | 基本靜 額定荷重 Co(daN) | 預壓 扭力 dan-cm | 重量 (kg) |
|---------|----------|---------|---------|------|-----|-----|-----|-----------------|-----------|---|---|----|-----------|------------|-----------------------|------------------------|--------------------|------------|
| 外徑 D | 全長 Lt | 胴長 F | 凸 緣 尺 寸 | | | | | | | | | | | | | | | |
| | | | 形式 | 外徑D1 | 厚度T | 寬 Y | 寬 W | 裝配孔 P.C.D(P) | 裝配螺栓 M | A | B | 防塵 | | | | | | |
| 16 | 24 | 19 | A | 32 | 5 | - | 25 | 23 | M3 | | | N | 1.000 | 2.5x1 | 85 | 190 | 0.05 | 0.20 |
| 20 | 30 | 25 | | 36 | | | 28 | 27 | | | | | 1.5875 | | 195 | 260 | | |
| 22 | 30 | 25 | B | 38 | 5 | 34 | 24 | 29 | M3 | | | F | 2.000 | 2.5x1 | 235 | 330 | 0.05 | 0.20 |
| 23 | 27 | 22 | A | 40 | 5 | - | 31 | 31 | M4 | | | N | 1.5875 | 2.5x1 | 225 | 330 | 0.03 | 0.37 |
| | | | | | | | | | | | | | | | | | | 0.42 |
| 24 | 35 | 27 | A | 43 | 8 | - | 33 | 33 | M4 | | | F | 2.000 | 2.5x1 | 270 | 420 | 0.03 | 0.41 |
| | | | | | | | | | | | | | | | | | | 0.50 |
| 26 | 37 | 29 | B | 46 | 8 | 42 | 28 | 36 | M4 | | | P | 2.3812 | 2.5x1 | 335 | 590 | 0.03 | 0.42 |
| | | | | | | | | | | | | | | | | | | 0.46 |
| 28 | 40 | 32 | B | 47 | 8 | 45 | 30 | 36 | M4 | | | P | 2.3812 | 1.5x1 | 220 | 350 | 0.03 | 0.41 |
| | | | | | | | | | | | | | | | | | | 0.53 |
| 25 | 35 | 27 | A | 44 | 8 | - | 34 | 33 | M4 | | | P | 1.5875 | 2.5x1 | 245 | 410 | 0.03 | 0.52 |
| | | | | | | | | | | | | | | | | | | 0.60 |
| 26 | 34 | 26 | A | 45 | 8 | - | 35 | 34 | M4 | | | P | 2.000 | 2.5x1 | 295 | 510 | 0.03 | 0.53 |
| | | | | | | | | | | | | | | | | | | 0.62 |
| 30 | 41 | 31 | A | 54 | 10 | - | 41 | 41 | M4 | | | L | 2.3812 | 2.5x1 | 360 | 675 | 0.03 | 0.71 |
| | | | | | | | | | | | | | | | | | | 0.81 |
| 30 | 44 | 34 | B | 50 | 10 | 45 | 32 | 40 | M5 | | | L | 3.175 | 2.5x1 | 595 | 980 | 0.03 | 0.60 |
| | | | | | | | | | | | | | | | | | | 0.73 |
| 30 | 49 | 37 | B | 54 | 12 | 48 | 32 | 41 | M5 | | | L | 3.175 | 1.5x1 | 385 | 590 | 0.03 | 0.79 |
| | | | | | | | | | | | | | | | | | | 0.93 |
| 32 | 68 | 56 | B | 56 | 12 | 48 | 32 | 43 | M5 | | | L | 3.175 | 1.5x1 | 385 | 590 | 0.03 | 0.90 |
| | | | | | | | | | | | | | | | | | | 1.05 |
| 30 | 37 | 27 | B | 54 | 10 | 48 | 32 | 41 | M5 | | | P | 1.5875 | 2.5x1 | 270 | 550 | 0.03 | 1.05 |
| | | | | | | | | | | | | | | | | | | 1.16 |
| 32 | 41 | 31 | B | 56 | 10 | 48 | 32 | 43 | M5 | | | L | 2.3812 | 2.5x1 | 410 | 855 | 0.03 | 2.06 |
| | | | | | | | | | | | | | | | | | | 1.19 |
| 34 | 44 | 34 | B | 58 | 10 | 50 | 34 | 45 | M5 | | | L | 3.175 | 2.5x1 | 690 | 1250 | 0.03 | 2.08 |
| | | | | | | | | | | | | | | | | | | 1.27 |
| 34 | 52 | 40 | B | 58 | 12 | 50 | 34 | 45 | M5 | | | L | 3.175 | 1.5x1 | 440 | 790 | 0.03 | 1.72 |
| | | | | | | | | | | | | | | | | | | 2.17 |
| | | | | | | | | | | | | | | | | | | 2.47 |
| | | | | | | | | | | | | | | | | | | 1.33 |
| 34 | 54 | 42 | B | 58 | 12 | 50 | 34 | 45 | M5 | | | L | 3.175 | 1.5x1 | 440 | 790 | 0.03 | 1.79 |
| | | | | | | | | | | | | | | | | | | 2.19 |
| | | | | | | | | | | | | | | | | | | 2.57 |
| | | | | | | | | | | | | | | | | | | 1.35 |
| 34 | 62 | 50 | B | 58 | 12 | 50 | 34 | 45 | M5 | | | L | 3.175 | 1.5x1 | 440 | 790 | 0.03 | 1.85 |
| | | | | | | | | | | | | | | | | | | 2.22 |
| | | | | | | | | | | | | | | | | | | 2.59 |
| | | | | | | | | | | | | | | | | | | 2.59 |

■ GE.GG 系列

軸端未加工品
 GE 系列 研磨 C7 級
 GG 系列 研磨 C5 級



| 型 | 號 | 公 稱 | 螺 桿 | | | | | | | | |
|--|--|------|--|--|-------------|-----------|-----------|------|------|----|------|
| | | | 螺桿外徑 d | 導 程 L | 有效螺紋長 l1 | 全 長 lt | 谷 徑 d1 | 軸 端 | | | |
| GE 系列 | GG 系列 | | | | | | d2 | d3 | l2 | l3 | l4 |
| GE2004ES-AALR-0605 A 1005 GE2005DS-BALR-1005 A 1505 GE2010DS-BALR-1005 A 1505 GE2020AS-BALR-1505 A 1805 | GG2004ES-AALR-0605 A 1005 GG2005DS-BALR-1005 A 1505 GG2010DS-BALR-1005 A 1505 GG2020AS-BALR-1505 A 1805 | 20 | 4 | 525 | 605 | 18.1 | 20 | 19.5 | 75 | 5 | 25 |
| | | | | 925 | 1005 | | | | | | |
| | | | 5 | 525 | 605 | 17.5 | 20 | 19.5 | 75 | 5 | 25 |
| | | | | 925 | 1005 | | | | | | |
| | | | | 1425 | 1505 | | | | | | |
| | | | 10 | 522 | 605 | 16 | 20 | 19.5 | 75 | 8 | 25 |
| | | | | 922 | 1005 | | | | | | |
| | | | | 1422 | 1505 | | | | | | |
| | | | 20 | 922 | 1005 | 15.9 | 20 | 19.5 | 75 | 8 | 25 |
| | | | | 1422 | 1505 | | | | | | |
| | | | | 1722 | 1805 | | | | | | |
| | | | GE2505DS-AALR-0600 A 1000 GE2510DS-BALR-1520 A 2220 GE2520AS-BALR-1520 A 2020 GE2525AS-BALR-1520 A 2020 | GG2505DS-AALR-0600 A 1000 GG2510DS-BALR-1520 A 2220 GG2520AS-BALR-1520 A 2020 GG2525AS-BALR-1520 A 2020 | 25 | 5 | 495 | 600 | 22.5 | 25 | 24.5 |
| 895 | 1000 | | | | | | | | | | |
| 10 | 912 | 1020 | | | | 21 | 25 | 24.5 | 100 | 8 | 25 |
| | 1412 | 1520 | | | | | | | | | |
| | 2112 | 2220 | | | | | | | | | |
| 20 | 912 | 1020 | | | | 21 | 25 | 24.5 | 100 | 8 | 25 |
| | 1412 | 1520 | | | | | | | | | |
| | 1912 | 2020 | | | | | | | | | |
| 25 | 912 | 1020 | | | | 21 | 25 | 24.5 | 100 | 8 | 25 |
| | 1412 | 1520 | | | | | | | | | |
| | 1912 | 2020 | | | | | | | | | |
| GE3205ES-DALR-0600 A 1000 GE3210DS-DALR-1600 A 2000 | GG3205ES-DALR-0600 A 1000 GG3210DS-DALR-1600 A 2000 | 32 | | | | 5 | 445 | 600 | 29.5 | 32 | 31.5 |
| | | | 845 | 1000 | | | | | | | |
| | | | 10 | 790 | 1000 | 27.2 | 32 | 31.5 | 200 | 10 | 25 |
| | | | | 1390 | 1600 | | | | | | |
| | | | | 1790 | 3200 | | | | | | |
| | | | | 1790 | 3200 | | | | | | |



凸緣型式 A

凸緣型式 B

凸緣型式 D

| 螺 帽 | | | | | | | | | | | | | 鋼球徑 | 循環數 | 基本動 額定荷重 | 基本靜 額定荷重 | 預壓 扭力 | 重量 |
|-----|----|----|---------|------|-----|-----|-----|-----------------|-----------|-----|----|----|--------|---------|-------------|-------------|----------|---------------|
| 外徑 | 全長 | 胴長 | 凸 緣 尺 寸 | | | | | | | | | Db | | | | | | |
| D | Lt | F | 形式 | 外徑D1 | 厚度T | 寬 Y | 寬 W | 裝配孔 P.C.D(P) | 裝配螺栓 M | A | B | 防塵 | | | | | | |
| 40 | 49 | 39 | A | 64 | 10 | - | 49 | 51 | M5 | 5.5 | - | L | 2.3812 | 2.5 X 2 | 860 | 2340 | 0.30 | 1.95 2.95 |
| 40 | 48 | 36 | B | 68 | 12 | 60 | 40 | 53 | M6 | - | - | | 3.175 | 2.5 X 1 | 835 | 1750 | 0.30 | 2.03 2.95 |
| 46 | 65 | 50 | B | 74 | 15 | 66 | 46 | 59 | M6 | - | - | | 4.7625 | 2.5 X 1 | 1350 | 2510 | 0.40 | 2.34 3.33 |
| 46 | 70 | 55 | B | 74 | 15 | 66 | 46 | 59 | M6 | - | - | | 4.7625 | 1.5 X 1 | 920 | 1620 | 0.40 | 4.56 3.51 |
| 47 | 48 | 36 | A | 74 | 12 | - | 57 | 60 | M6 | 7.5 | - | | 3.175 | 2.5 X 1 | 940 | 2220 | 0.40 | 4.83 2.94 |
| 52 | 65 | 50 | B | 86 | 15 | 78 | 52 | 68 | M8 | - | 30 | L | 4.7625 | 2.5 X 1 | 1610 | 3340 | 0.60 | 4.39 4.83 |
| 52 | 70 | 55 | B | 86 | 15 | 78 | 52 | 68 | M8 | - | 30 | | 4.7625 | 1.5 X 1 | 1040 | 2010 | 0.60 | 6.57 9.63 |
| 54 | 77 | 62 | B | 86 | 15 | 78 | 54 | 70 | M8 | - | 30 | | 4.7625 | 1.5 X 1 | 1040 | 2010 | 0.60 | 5.14 7.05 |
| 58 | 58 | 46 | D | 85 | 12 | - | 32 | 71 | M6 | - | - | | 3.175 | 2.5 X 2 | 1900 | 5720 | 0.40 | 8.99 5.30 |
| 74 | 68 | 53 | D | 108 | 15 | - | 41 | 90 | M8 | - | - | L | 6.350 | 2.5 X 1 | 2580 | 5560 | 0.70 | 7.23 9.16 |
| | | | | | | | | | | | | | 3.175 | 2.5 X 2 | 1900 | 5720 | 0.70 | 4.83 7.20 |
| | | | | | | | | | | | | | 6.350 | 2.5 X 1 | 2580 | 5560 | 0.70 | 7.54 15.87 |
| | | | | | | | | | | | | | | | | | 0.70 | 18.13 |

精度等級及軸方向間隙

(參考) 1daN = 10N ≈ 1.02kgf 1kgf = 9.8N

| 型 號 | 精 密 等 級 | 軸 方 向 間 隙 | 累 積 導 程 誤 差 |
|-------|---------|-----------|-------------|
| GE 系列 | C7 | 0.030mm以下 | 0.05/300mm |
| GG 系列 | C5 | 0.030mm以下 | 0.018/300mm |

註：1.※印之預壓扭力僅適用GG系列。
2.防塵套種類 L = 舌片。